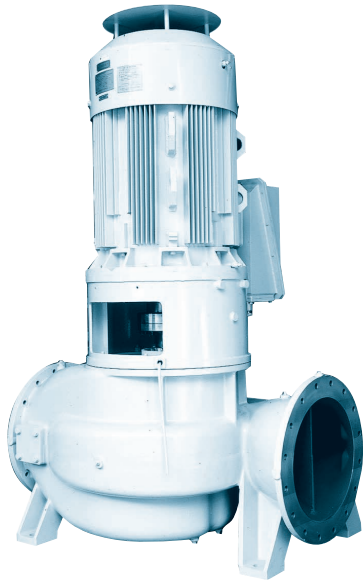


CENTRIFUGAL PUMP

EMD



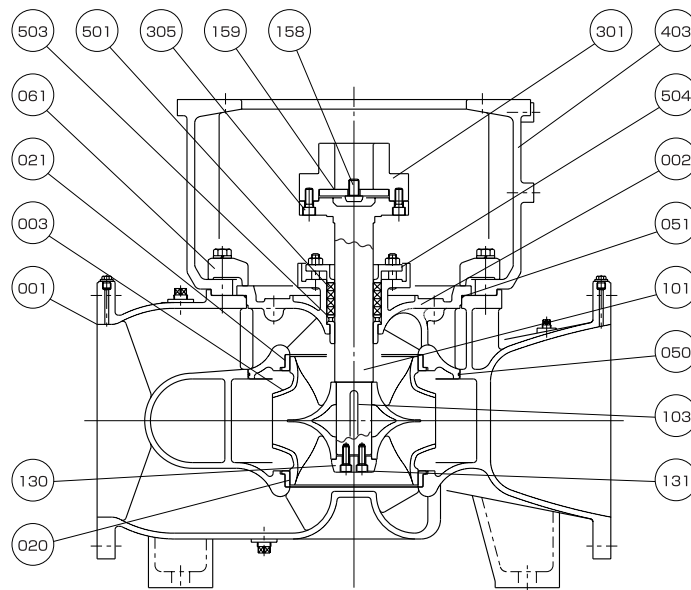
Application

Cooling Sea Water Pump
Ballast Pump
Condenser Cooling Pump

Feature

Vertical Single-stage Double-suction
Closed Coupling Type

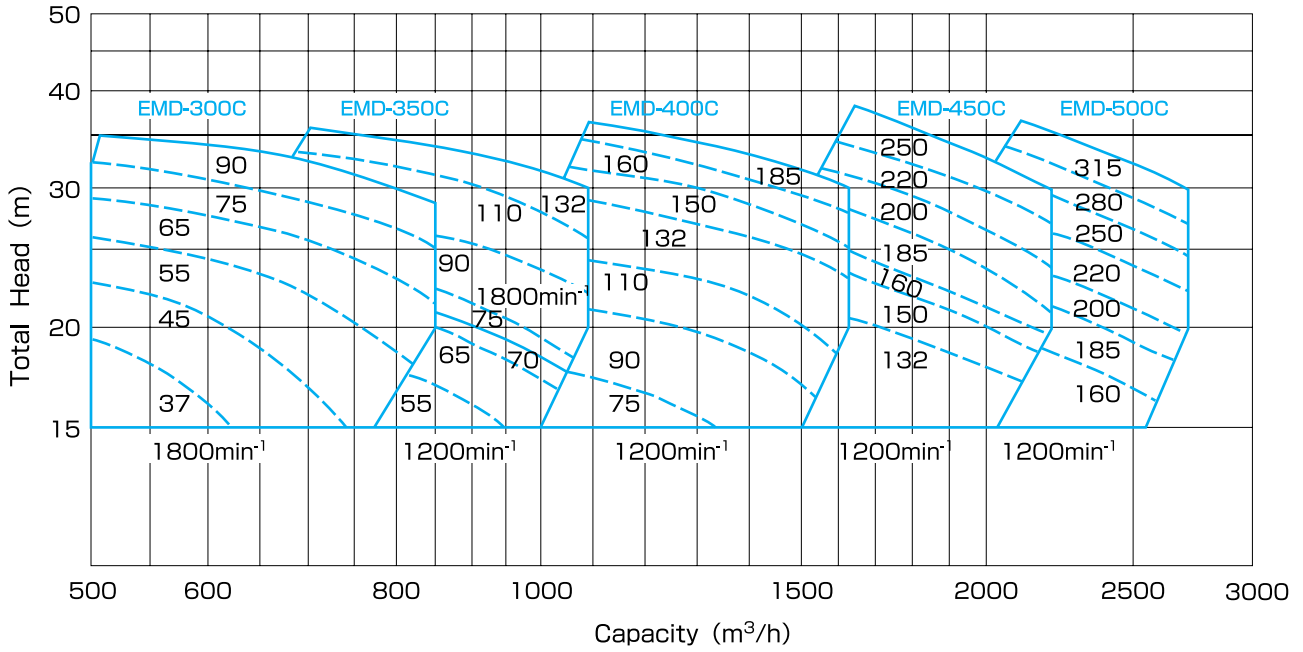
Structure & Material



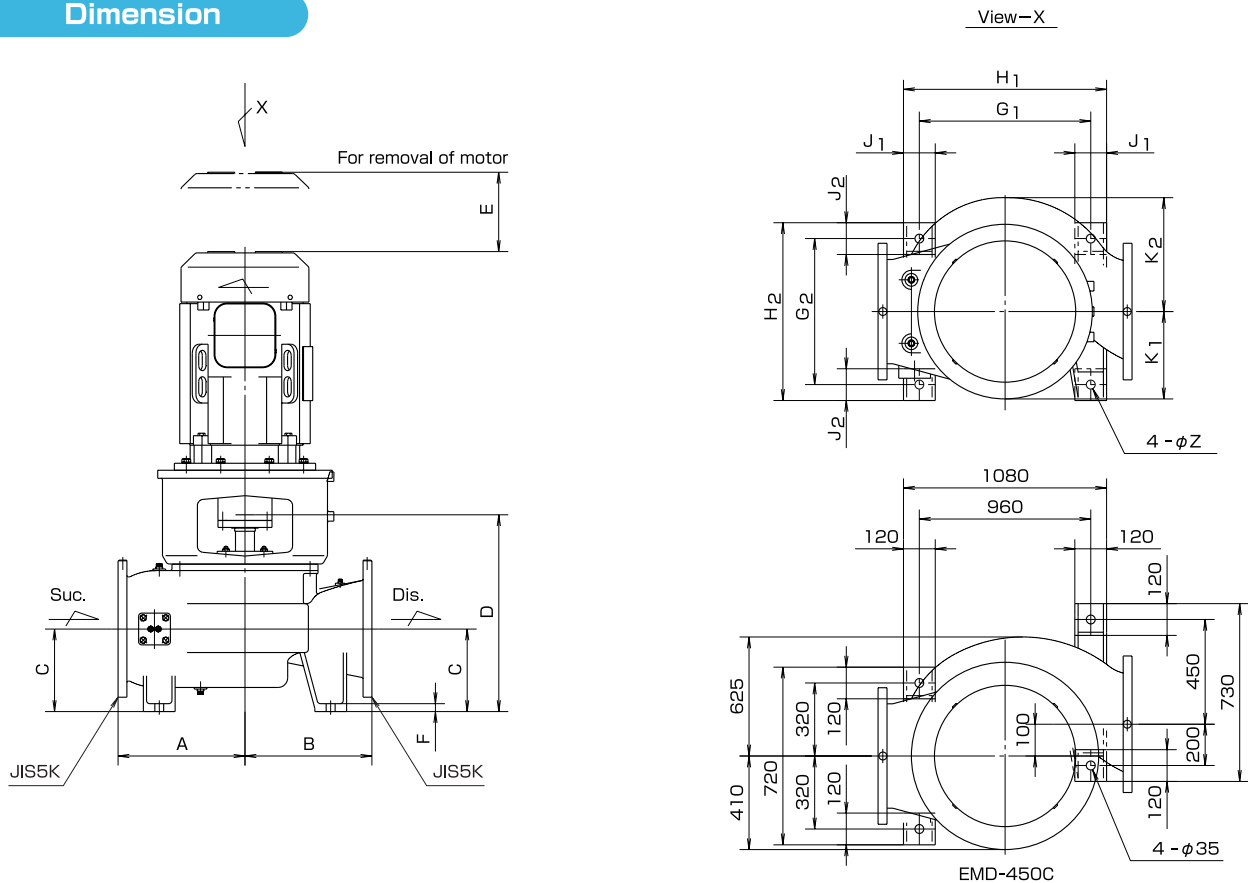
| Part No. | Name | Req. No. | Sea Water | | Fresh Water | |
|----------|--------------|----------|-----------------|---------|-----------------|---------|
| | | | Material | JIS | Material | JIS |
| 001 | CASING | 1 | BRONZE | CAC402 | CAST IRON | FC200 |
| 002 | CASING COVER | 1 | BRONZE | CAC402 | CAST IRON | FC200 |
| 003 | IMPELLER | 1 | PHOSPHOR BRONZE | CAC502A | PHOSPHOR BRONZE | CAC502A |
| 020 | CASING RING | 1 | BRONZE | CAC402 | BRONZE | CAC402 |
| 021 | CASING RING | 1 | BRONZE | CAC402 | BRONZE | CAC402 |
| 050 | O-RING | 1 | RUBBER | NBR | RUBBER | NBR |
| 051 | O-RING | 1 | RUBBER | NBR | RUBBER | NBR |
| 061 | FIXING PLATE | 8 | MILD STEEL | SS400 | MILD STEEL | SS400 |
| 101 | SHAFT | 1 | STAINLESS STEEL | SUS304 | STAINLESS STEEL | SUS304 |
| 103 | KEY | 1 | STAINLESS STEEL | SUS304 | STAINLESS STEEL | SUS304 |

| Part No. | Name | Req. No. | Sea Water | | Fresh Water | |
|----------|---------------|----------|------------------|--------|------------------|--------|
| | | | Material | JIS | Material | JIS |
| 130 | HUB CUP | 1 | STAINLESS STEEL | SUS304 | STAINLESS STEEL | SUS304 |
| 131 | SCREW | 2 | STAINLESS STEEL | SUS304 | STAINLESS STEEL | SUS304 |
| 158 | SET SCREW | 1 | MILD STEEL | SS400 | MILD STEEL | SS400 |
| 159 | STOPPER RING | 1 | MILD STEEL | SS400 | MILD STEEL | SS400 |
| 301 | COUPLING | 1 | CARBON STEEL | S45C | CARBON STEEL | S45C |
| 305 | COUPLING BOLT | 8 | Cr-Mo STEEL | SCM435 | Cr-Mo STEEL | SCM435 |
| 403 | FRAME | 1 | CAST IRON | FC200 | CAST IRON | FC200 |
| 501 | GLAND PACKING | 4 | CARBONIZED FIBER | - | CARBONIZED FIBER | - |
| 503 | LANTERN RING | 1 | BRONZE | CAC402 | BRONZE | CAC402 |
| 504 | GLAND | 1 | BRONZE | CAC402 | BRONZE | CAC402 |

Performance



Dimension



| Model No. | Bore | | Dimension (mm) | | | | | | | | | | | | | | |
|-----------|------|------|----------------|-----|-----|------|-----|----|-----|-----|------|-----|-----|-----|-----|-----|----|
| | Suc. | Dis. | A | B | C | D | E | F | G1 | G2 | H1 | H2 | J1 | J2 | K1 | K2 | Z |
| EMD-300C | 300 | 300 | 400 | 400 | 260 | 620 | 250 | 25 | 540 | 460 | 640 | 540 | 100 | 100 | 275 | 365 | 28 |
| EMD-350C | 350 | 350 | 500 | 520 | 290 | 775 | 250 | 30 | 600 | 600 | 720 | 680 | 120 | 120 | 330 | 380 | 35 |
| EMD-400C | 400 | 400 | 550 | 550 | 300 | 740 | 250 | 30 | 640 | 640 | 760 | 720 | 120 | 120 | 400 | 490 | 35 |
| EMD-450C | 450 | 450 | 650 | 650 | 400 | 920 | 250 | 30 | - | - | - | - | - | - | - | - | - |
| EMD-500C | 500 | 500 | 750 | 750 | 420 | 1020 | 250 | 35 | 960 | 800 | 1120 | 920 | 160 | 120 | 430 | 610 | 48 |